

# New Masterflex® L/S® Easy-Load® Pump Heads

Ideal for laboratory, medical device,  
and industrial applications

- Sleek, modern design ideal for clinical and biopharmaceutical applications
- Smaller footprint fits into almost any space
- Reduced pulsation and improved pressure capabilities with new four-roller design
- Improved occlusion bed geometry reduces tubing wear, lengthens tubing life
- Faster tube changes with single-thumb actuation and automatic tubing retention
- Stack the pump heads for multichannel pumping

The new Masterflex L/S Easy-Load pump head not only has a new sleek and compact design but also has features that provide more efficient pumping. The four-roller design improves pressure performance, stability, and reduces pulsation. Improved occlusion-bed geometry reduces tubing wear and lengthens tubing life. Tubing changes have never been faster with single-thumb actuation.

The Easy-Load pump head is ideal for many applications including challenging environments with its polyarylamide housing that protects against corrosive liquids and vapors, a corrosion-resistant stainless steel rotor, and PTFE-shielded bearings for long life expectancy.



## Customizable Contact us for more options

- Mounting adapters
- Leak detection
- Motors
- Colors
- Open-head sensors
- And more...

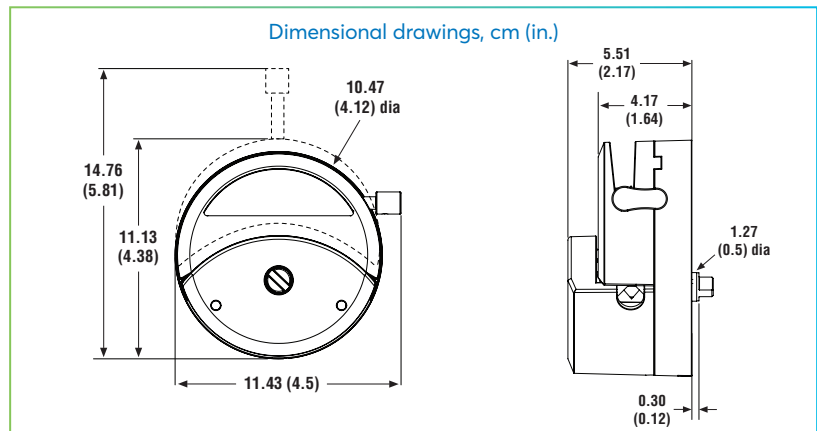
## Applications

- Bioreactors
- Ablation
- Laser cooling
- Fermenters
- Angioscopy
- Vending machines
- Analyzers
- Endoscopy
- Seed coating
- Surgical irrigation
- Liposuction
- Ice cream flavoring

Tubing cross sections	L/S Precision pump tubing						L/S High-Performance Precision pump tubing	
	L/S 13	L/S 14	L/S 16	L/S 25	L/S 17	L/S 18	L/S 15	L/S 24
Flow rate—mL/rev	0.06	0.21	0.8	1.7	2.8	3.8	1.7	2.8
mL/min @ 600 rpm	36	130	480	1000	1700	2300	1000	1700
Max pressure	2.7 bar (40 psi)			2.4 bar (35 psi)	1.4 bar (20 psi)	1.0 bar (15 psi)	2.7 bar (40 psi)	
Max vacuum	660 mm Hg (26" Hg)				510 mm Hg (20" Hg)		660 mm Hg (26" Hg)	
Suction lift	8.8 m H2O (29 ft H2O)				6.7 m H2O (22 ft H2O)		8.8 m H2O (29 ft H2O)	

## Specifications

Housing:	Polyarylamide
Rotor:	Stainless steel
Humidity:	0 to 90%



Pump tubing sizes accepted	mL per rev	Flow rates in mL/min @ 600 rpm	Maximum continuous pressure*	Maximum vacuum Hg	Maximum suction lift	Cat. No.	
						Pump head	Pump head with open-head sensor
<b>L/S Easy-Load® pump heads for Precision pump tubing (four rollers)</b>							
L/S 13	0.06	36					
L/S 14	0.21	130	40 psi (2.7 bar)	26" (660 mm)	29 ft (8.8 m)		
L/S 16	0.08	480				MFLX07514-10	MFLX07514-30
L/S 25	1.7	1000	35 psi (2.4 bar)				
L/S 17	2.8	1700	20 psi (1.4 bar)	20" (510 mm)	22 ft (6.7 m)		
L/S 18	3.8	2300	15 psi (1.0 bar)				
<b>L/S Easy-Load® pump head for Precision pump tubing (six rollers)</b>							
L/S 13	0.06	36					
L/S 14	0.21	126	40 psi (2.7 bar)	24" (610 mm)	27 ft (8.2 m)	MFLX07514-40	—
L/S 16	0.75	450					
L/S 25	1.5	900	35 psi (2.4 bar)				
<b>L/S Easy-Load® pump head for High-Performance Precision pump tubing (four rollers)</b>							
L/S 15	1.7	1000		26" (660 mm)	29 ft (8.8 m)	MFLX07514-12	MFLX07514-32
L/S 24	2.8	1700	40 psi (2.7 bar)				

\*Actual performance varies depending on pump tubing formulation; values shown are for firm pump tubing.

**⚠ WARNING:** This product can expose you to chemicals including BPA, lead, and phthalates, which is known to the State of California to cause cancer and reproductive harm. For more information, visit [www.P65Warnings.ca.gov](http://www.P65Warnings.ca.gov)