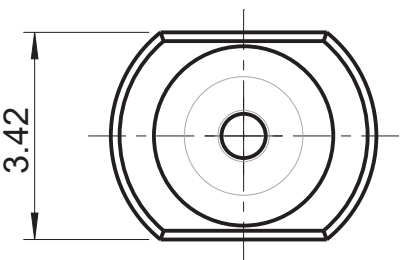
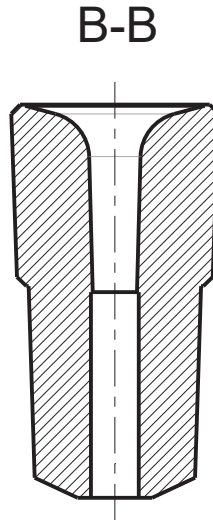
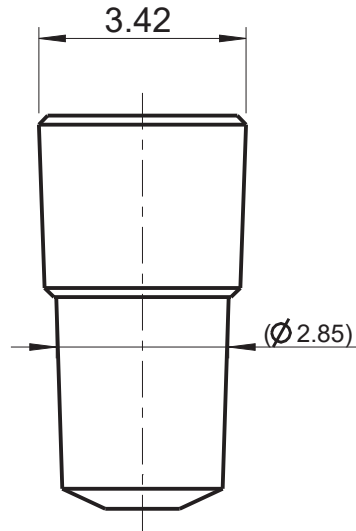
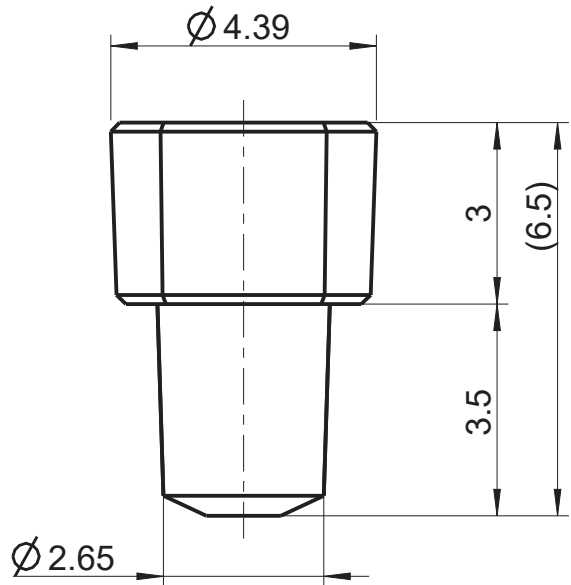
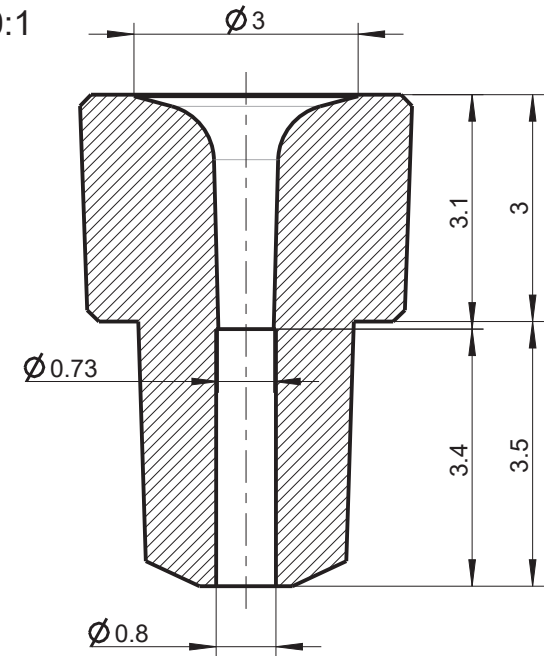


for 1/32" tubing



A-A
10:1



1:1

all values without dimensions are in mm

		Tolerance ISO 8015 General Tolerance ISO 2768-mK
		Scale 8:1
Tube Tuck Mini Luer Connector	Fluidic 997	Created/changed on: 19.04.2022
	Page (1/1) Size A4	

MF00037_A4