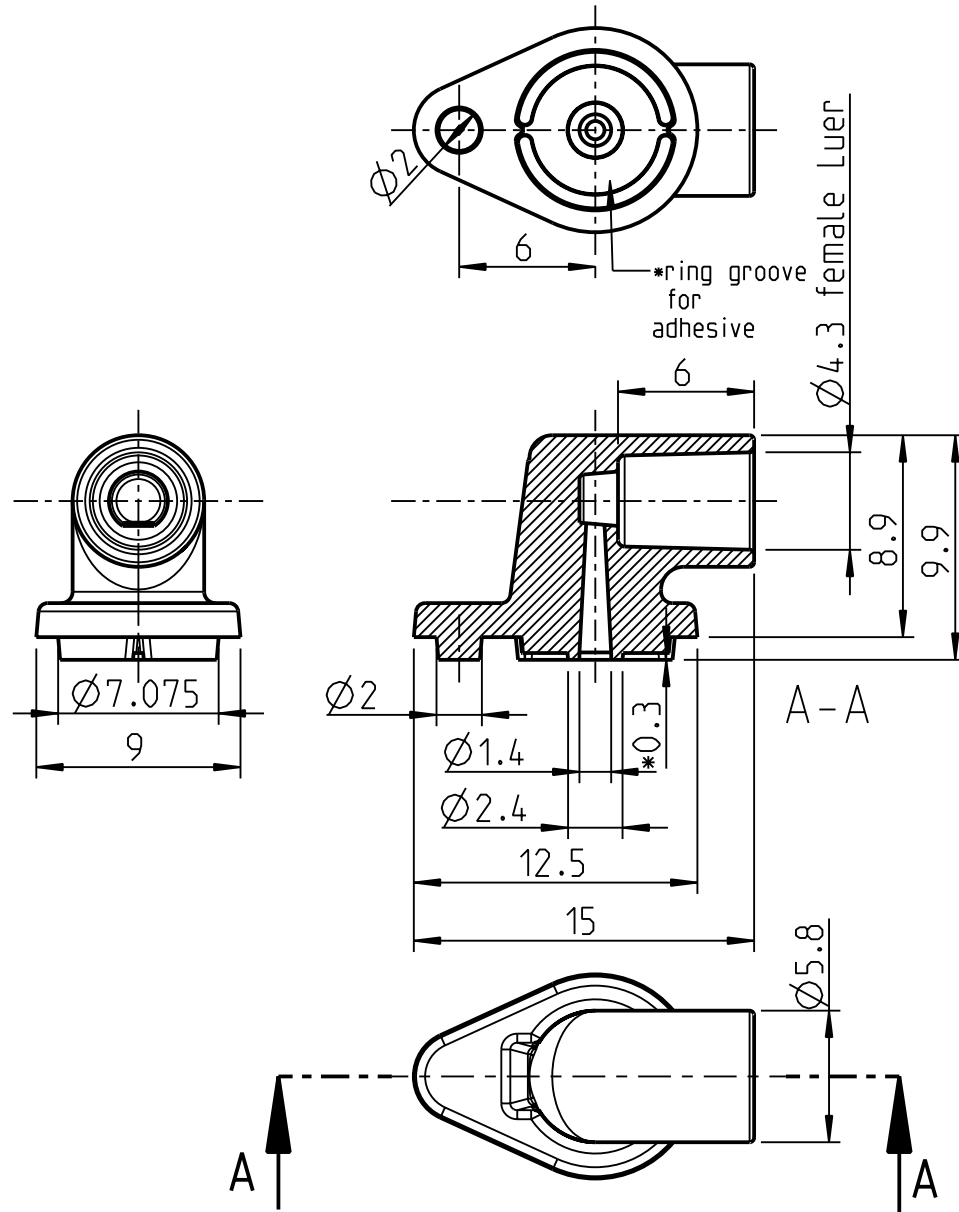




1:1



all values without dimensions are in mm

	Tolerance ISO 8015 General Tolerance ISO 2768-mK		
	Stand-alone female Luer connector - 90° angle	Fluidic 544	Scale 3:1
		Page (1/1) Size A4	Created/changed on: 17.10.2018

MAFO0037_A4