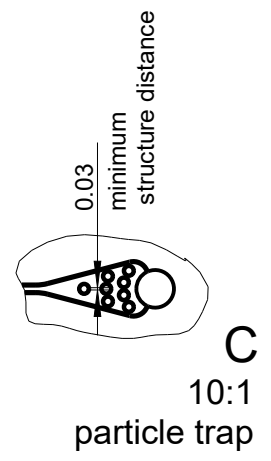
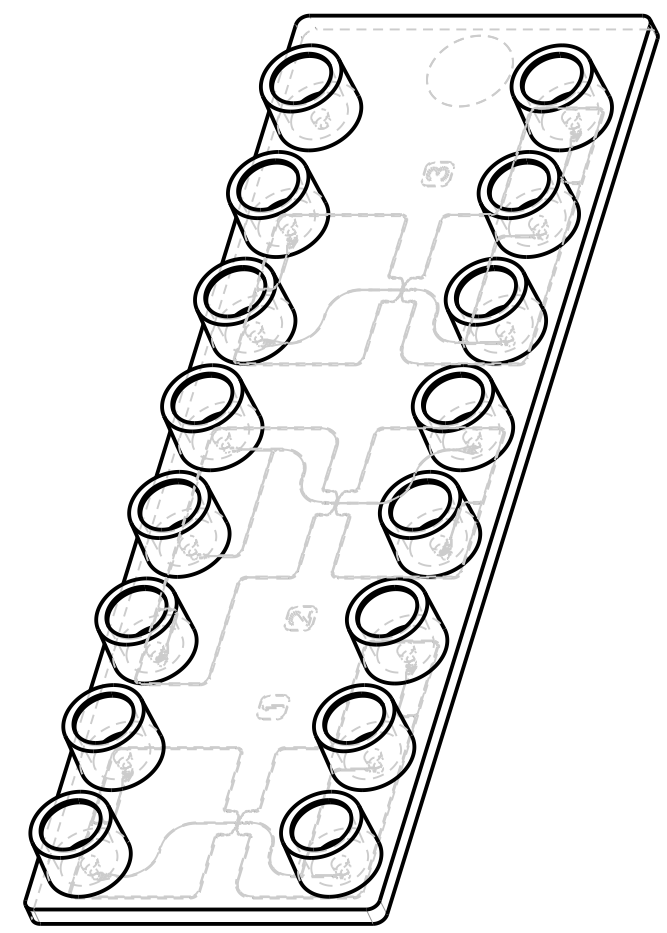


channels width 0.118 x depth 0.1
structures 1, 2, 3 are identical



all values without dimensions are in mm

		Tolerance ISO 8015 General Tolerance ISO 2768-mK
		Scale 2:1
Droplet Generator Chip Double-Cross 38 μm Nozzle	Fluidic 536	Created/changed on: 26.01.2021
	Page (1/1) Size A3	