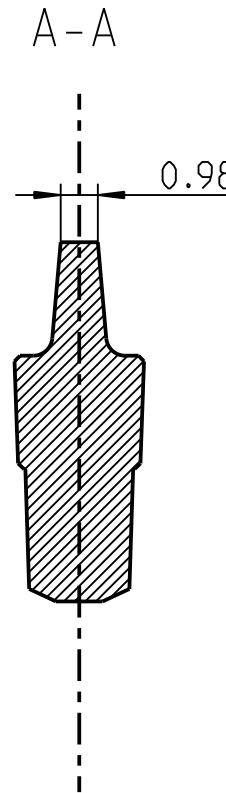
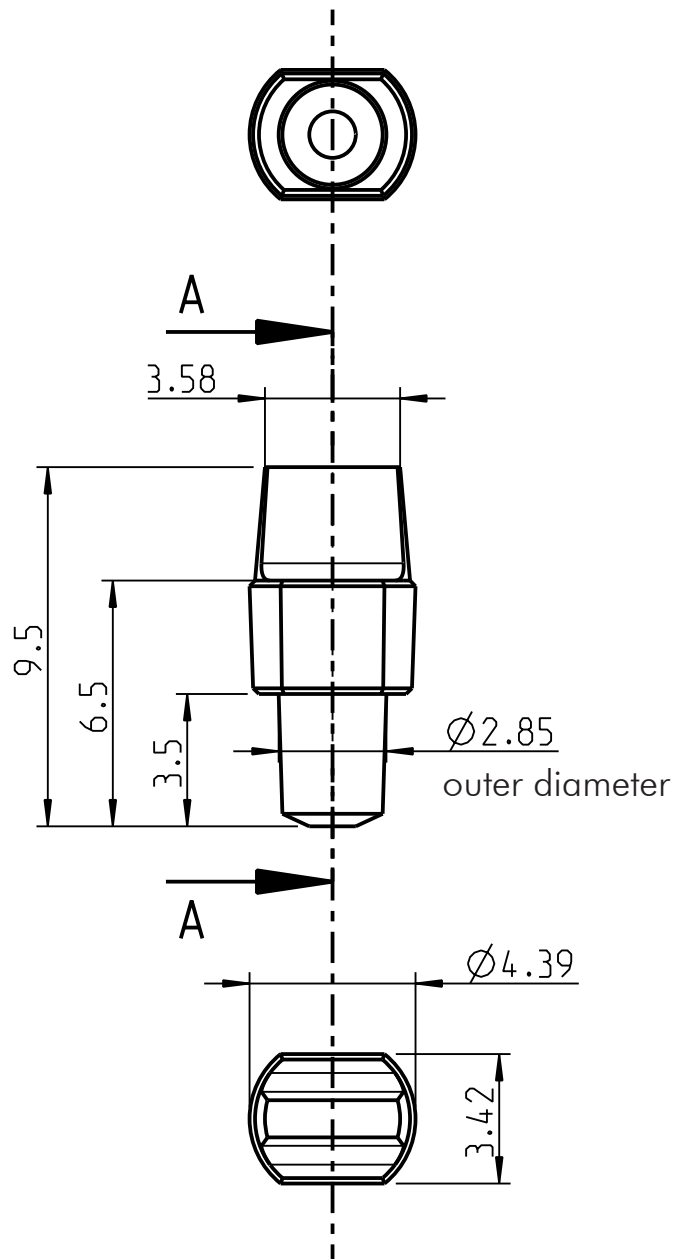


Mini Luer interface



1:1

all values without dimensions are in mm

	Tolerance ISO 8015	
	General Tolerance ISO 2768-mK	
	Fluidic 334	Scale 5:1
Male Mini Luer Plug	Page (1/1)	Created/changed on: 17.11.2020
	Size A4	

M\F\00371\_A4