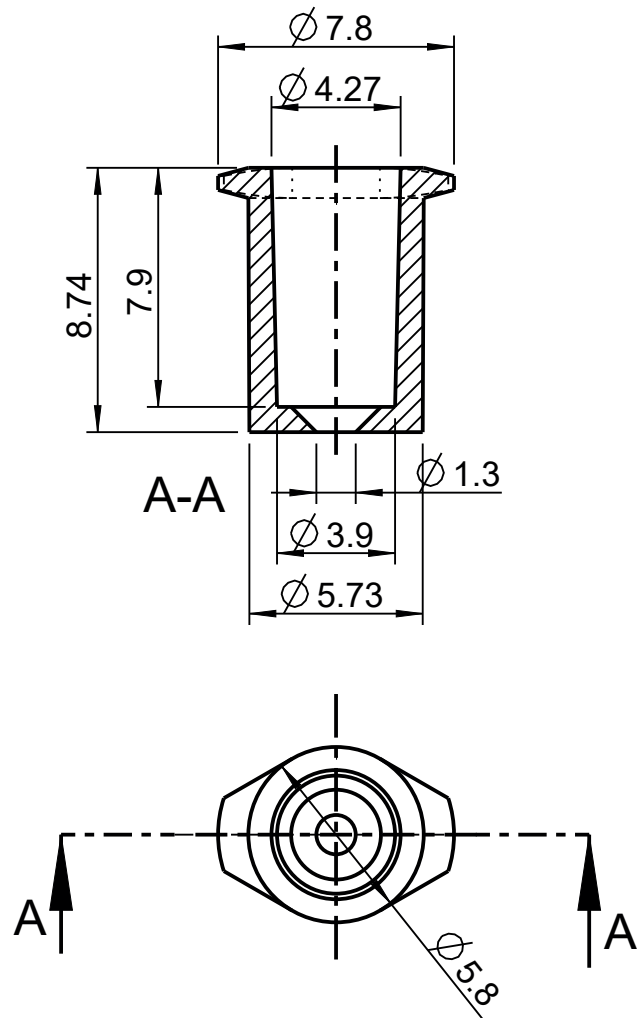




1:1



all values without dimensions are in mm

microfluidic ChipShop	Tolerance ISO 8015	
	General Tolerance ISO 2768-mK	
	Fluidic 302	Scale 4:1
Stand Alone Female Luer	Page (1/1)	Created/changed on: 26.06.2020
	Size A4	

MF00037_A4