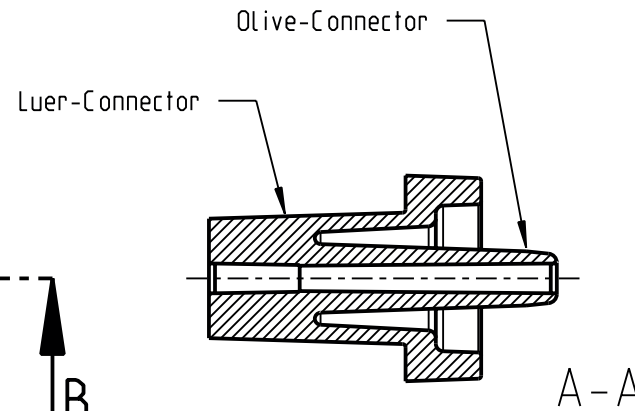
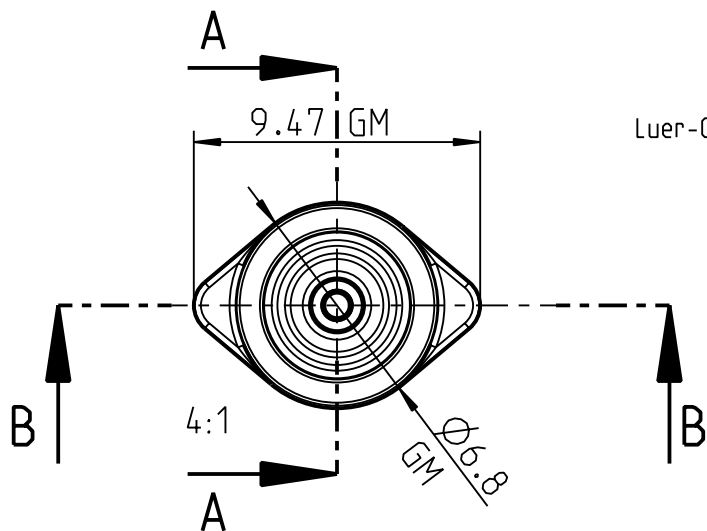
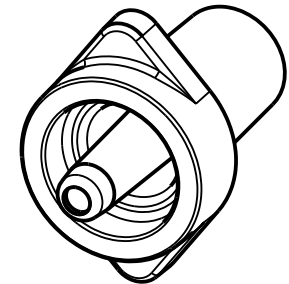
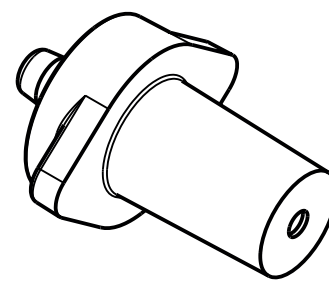
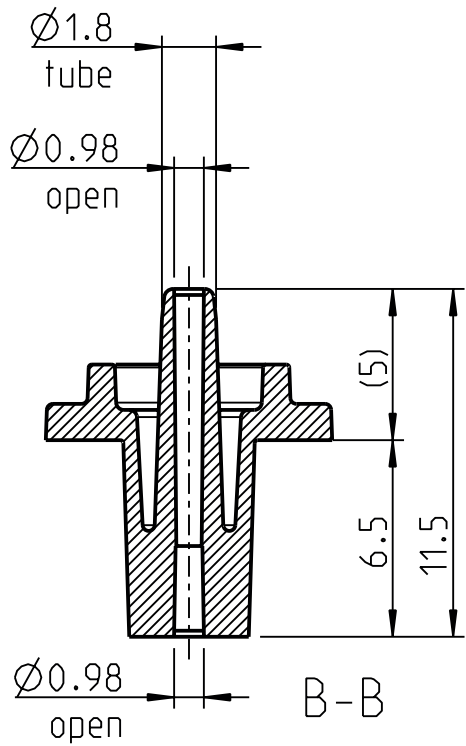




1:1



all values without dimensions are in mm

	Tolerance ISO 8015	
	General Tolerance ISO 2768-mK	
	Fluidic 263	Scale 4:1
Male Luer Fluid Connector	Page (1/1)	Created/changed on: 19.04.2017
	Size A4	

MF00037_A4