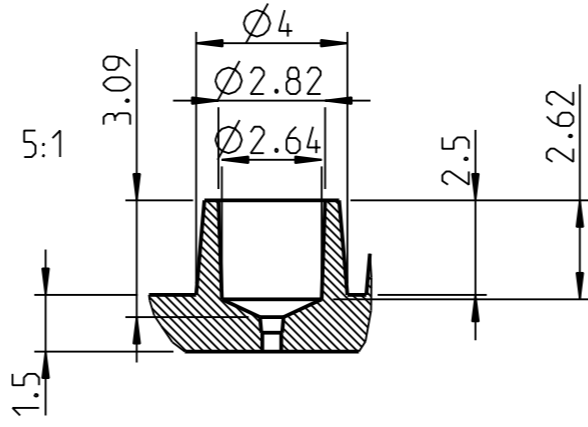
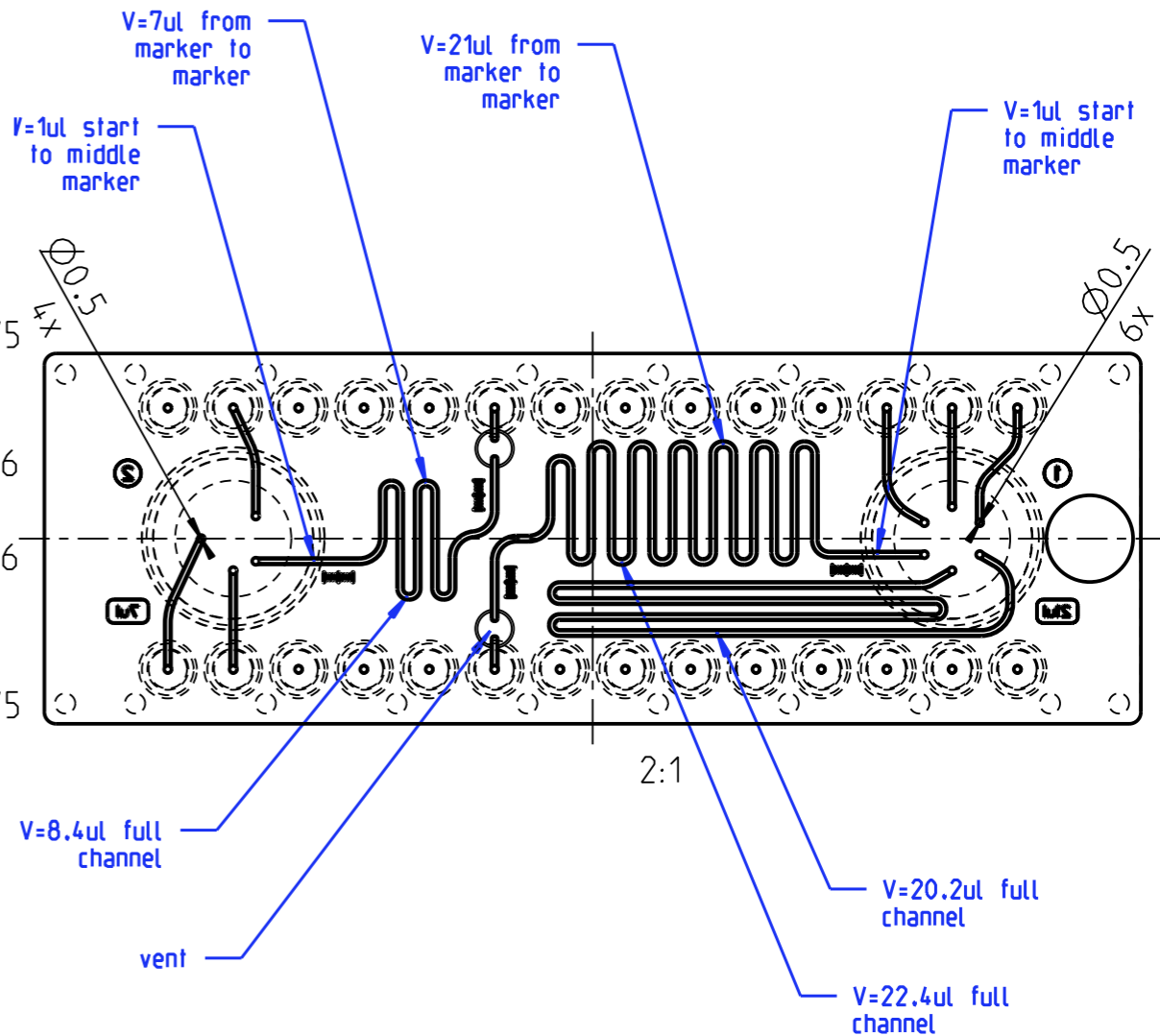


position of turning valve 1

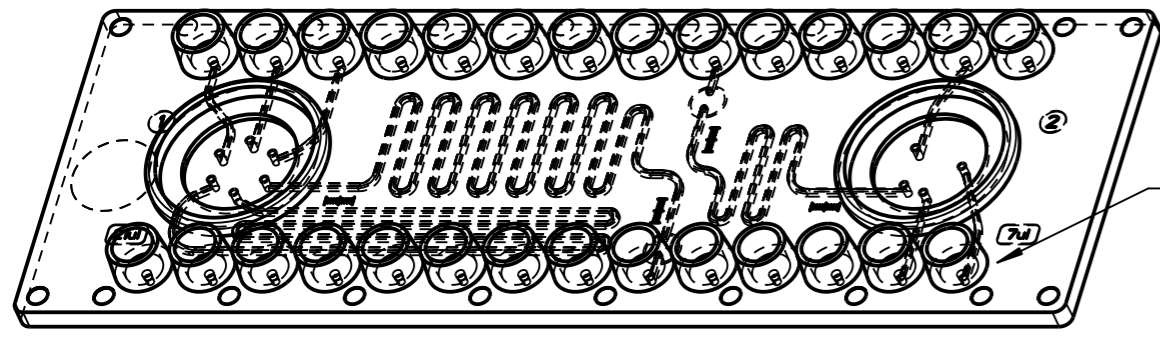
position of turning valve 2

test channel 1  
 volume 21ul  
 cross-section  
 0.4 x 0.4  
 rounded  
 marker to marker

test channel 2  
 volume 7ul  
 cross-section  
 0.4 x 0.4  
 rounded  
 marker to marker



Mini Luer interface



2:1

all values without dimensions are in mm

|                         |                               |                                |
|-------------------------|-------------------------------|--------------------------------|
|                         | Tolerance ISO 8015            |                                |
|                         | General Tolerance ISO 2768-mK |                                |
|                         | Scale 1:1                     |                                |
| Turning Valve Test Chip | Fluidic 155                   | Created/changed on: 25.11.2020 |
|                         | Page (1/1)                    |                                |
|                         | Size A3                       |                                |